

ADVERT

# ADVERT

DIGITAL SECURITY WORLD

Advert Technologies Philosophy: Customers First...

There are three key elements of quality:

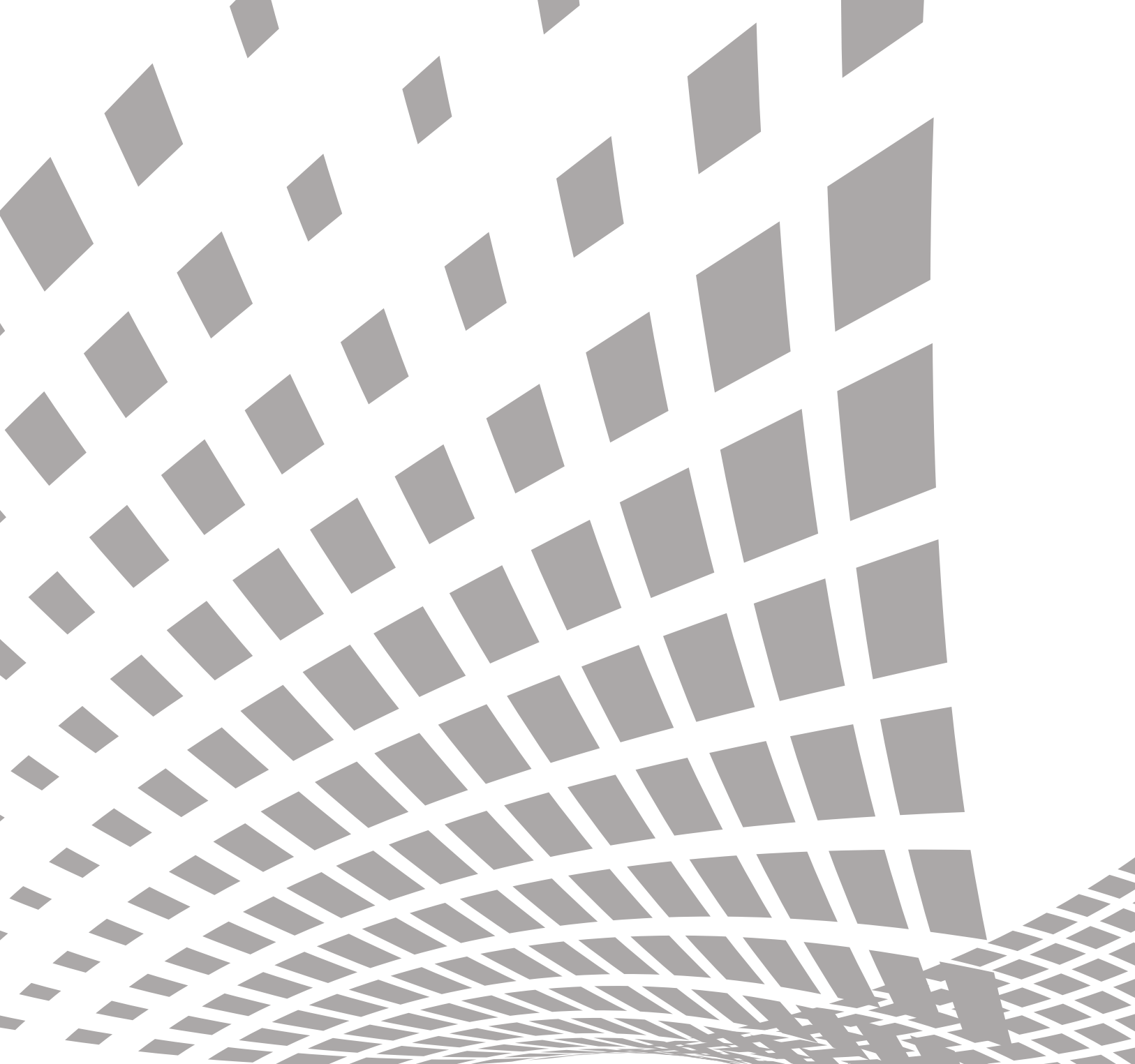
Customer, process and employee.

Everything we do to remain a world-class

Quality company focuses on these



## ZOOM SWING SERIES



# Professional Video Surveillance Equipments & Solutions

 **ADVERT**  
DIGITAL SECURITY WORLD

# 10X SPEED DOME



## FEATURES

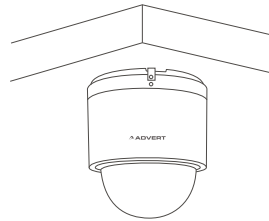
- High Quality Motor, Low Power Consumption, No Vibration at Low Speed
- Warm Up Under Extreme Low Temperature to Protect the Camera
- With Black Liner, More Discreet Surveillance
- With Embedded Operation System, Support On-Line Updating the Dome Information Like Dome Title
- Built In OSD Menu (English, French, German, Italian, Russian, Spanish, Portuguese and Chinese)
- Full Functional OSD Menu, Setting and Calling Presets, Auto Tour, Pattern Tour and Auto Scan Etc
- Continuously 360° Pan, Tilt 180° with Auto Flip
- With Compass Function, Shows Pan /Tilt Direction On Screen
- Can Display the Temperature Outside and Inside
- 255 Presets, ±0.1° Accuracy
- 300°/s Preset Speed
- 8 Tours, 32 Presets Per Tour
- 8 Patterns, 4 Scans, 8 Regions
- 8 Privacy Masks
- 4 Alarm Inputs and 1 Alarm Outputs(Optional)
- Support Changing Camera ID From OSD Menu
- Password Protected Menu
- Proportional Pan/Tilt
- Auto Memory Function: Auto Running the Previous Function After Power Off/On
- Upgraded Home Position Function. If the Camera is Not Controlled for a Specified, it Would Call Preset, Run Auto Tour, Pattern Tour, Auto Scan or Show Display Areas Automatically
- With Real-Time Clock and Scheduled Function (Color to B/W, Patrol, Pattern and Scan Etc)
- Support Pelco-C, Pelco-D, Pelco-P, AD, Vicon, VCL, Molynx, Diamond, Kalatel, Philips Etc
- IP66, With Heater and Fan
- TVS3000V Lightning Proof and Surge Proof Module

## TECHNICAL SPECIFICATIONS

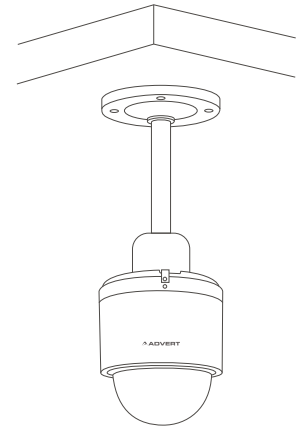
Model	ADZS-ODRNS10-S100	ADZS-ODRPS10-S100
Signal System	NTSC	PAL
Image Sensor	SONY 1/4 Inch Super HAD CCD ..	
Scanning System	2:1 Interlace	
Scanning Frequency (H)	15734 Hz	15625 Hz
Scanning Frequency (V)	59.94 Hz	50.00 Hz
Sync. System	Internal / external	
Optical Zoom	10x, f=3.8 to 38mm (F1.8 to 3.2)	
Min. Focus Length	1000mm	
Digital Zoom	10x	
Max Distance	Horizontal: 51.2° (wide)~5.58° (tele) Vertical: 39.3° (wide)~4.27° (tele)	
Camera ID	255	
Resolution	Color: 500TVL B/W: 570TVL	
Video Output	CVBS: 1.0Vp-p/75Ω	
S/N	50 dB (AGC OFF, Weight ON)	
Min. Illuminance	Color: 0.7 Lux / F1.8 (50 IRE) B / W: 0.02 Lux / F1.8 (50 IRE)	
BLC	Low / Middle, High / OFF	
Day / Night	Day / Night (ICR)	
AGC	Low / High / OFF	
White Balance	ATW Balance (Indoor(3,000°K~6,500°K), Outdoor(1,800°K~10,500°K))AWB/Manual	
Electric Shutter	Auto / Manual (X512~1/50sec~1/120,000sec)	
Sensitivity	X128	
OSD Menu	Chinese or English	
Motion Detection	ON / OFF (Alarm Relay Out)	
External Control	RS-485 & RS-232C CMOS Level (2400, 4800, 9600, 19200, 38400 and 57600bps Selectable)	
SSNR (Super DNR)	Low / Middle / High	
SSDR	—	
Focus	Auto / Manual / One Push	
Zoom Speed	1.75s: Wide to Tele	
Lens Initialize	Built In	
Use Settings	8 Group	
Privacy Masks	32 Areas: 8 Group, 4 Editable Areas Per Group	
Mirror	Left Right / Up Down	
Freeze	On / Off	
Iris Control	Manual / Auto	
Power Supply	DC 9V~12V (Recommend: 9V or 12V)	
Current Consumption	Static State: 3.15W Movement: 4.5W	
Dimensions	142.0 mm (Base Diameter) X 152.0 mm (H)	
Weight	Approx. 1438g	

## MOUNT TYPE

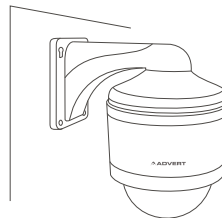
Surface Mount



Pendent Mount

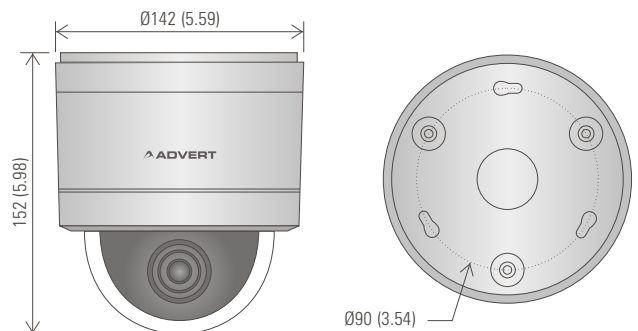


Wall Mount



## DIMENSIONS

Unit: mm(inches)



The above mentioned technical drawings are for reference only.

\* "Super HAD CCD" is the trademarks of Sony Corporation.

# 35X,30X,23X & 22X SPEED DOME



## FEATURES

- Aesthetic Outlook Vandal Proof
- Patented “Fast Connect” for Fast Installation
- System Preheat in Low Temperature
- Programmable Multi-protocol
- 360° Continuous Pan, 180° Tilt “Auto Flip”
- 4 Tours(27 Presets / Tour), 4 Patterns, 4 Cruises
- 8 Privacy Mask Zones, 8 Titled Zones
- Built-in Alarm, 7 Inputs/2 Outputs
- Built-in Surge and Lightning Protection
- Speed Amplify to Fit Different Control Keyboards
- Auto Storage Memory Against Power Failure
- Auto Running Resume After Manual Operation
- On Screen Display for Compass and Tilt Angle, System and Environment Temperature, Fan Status
- 220 Presets, ±0.1° Preset Accuracy
- 300°/s Pan/Tilt Preset Speed
- FIFO Alarm Priority Levels
- Alarm Driven Pattern, Preset etc.
- Position Resume After Alarm
- Variable Cruise Speeds 0.1-150°/Sec
- OSD Menu for Programmable Functions
- Proportional P/T Speeds
- Vertical Tilt Unobstructed 0° to -90°

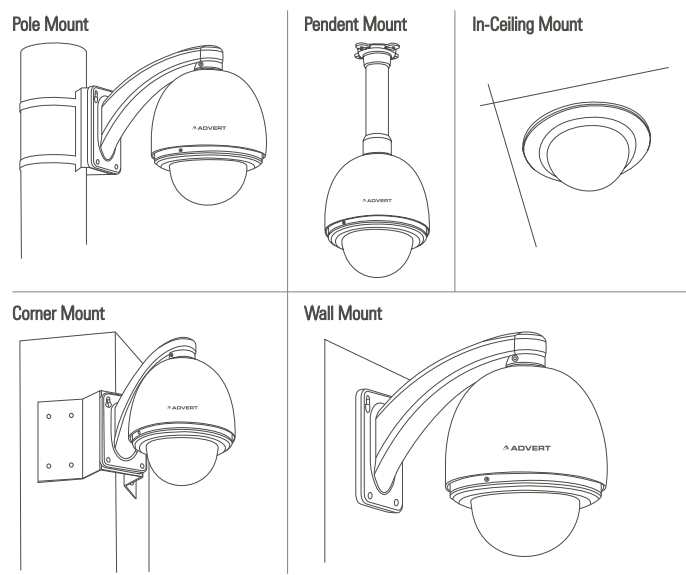
## TECHNICAL SPECIFICATIONS

Model	ADZS-ODRNA35-V654	ADZS-ODRPA35-V654	ADZS-ODRNA30-V634	ADZS-ODRPA30-V634	ADZS-ODRNA23-V454	ADZS-ODRPA23-V454	ADZS-ODRNA22-V214	ADZS-ODRPA22-V214
Signal System	NTSC	PAL	NTSC	PAL	NTSC	PAL	NTSC	PAL
Image Sensor	SONY 1/4 Inch Super HAD CCD ..		SONY 1/4 Inch Super HAD CCD ..		SONY 1/4 Inch Super HAD CCD ..		SONY 1/4 Inch Super HAD CCD ..	
Effective Picture elements	380K	440K	380K	440K	380K	440K	380K	440K
Total Picture elements	410K	470K	410K	470K	410K	470K	410K	470K
Horizontal Resolution (Zoom Module)	Color 480 TVL, B/W 570 TVL		540 TVL		480 TVL (Color), 570TVL (B/W)		470 TVL, EIA 500 TVL	
Enhanced Resolution (Zoom Swing Pro. HW)	540 TVL		540 TVL		540 TVL		540 TVL	
Min. Illumination	0.01 LUX		0.01 LUX		0.1 LUX (Color), 0.01 LUX (B/W)		0.05 LUX	
Lens Type	35X F1.4(W)~F4.2(T) (f 3.4~119mm)		30X F1.4(W)~3.6(T) (f 3.4~102mm)		23X F1.6(W)~F3.7(T) (f 3.6~82.8mm)		22X F1.6 (f 4.0~88mm)	
Lens Iris	AUTO		AUTO / MANUAL		AUTO		AUTO / MANUAL	
Focus Mode	AUTO / MANUAL		AUTO / MANUAL		AUTO / MANUAL		AUTO / MANUAL	
Digital Zoom	12X		12X		12X		12X	
Viewing Angle (H)	55.8°(W) ~ 1.7°(T)		55.8°(W) ~ 2.0°(T)		54°(W) ~ 2.5°(T)		47.3°(W) ~ 2.2°(T)	
Minimum Object Distance	0.01m(W) ~ 1.0m(T)		0.01m(W) ~ 1.0m(T)		0.01m(W) ~ 1.0m(T)		0.01m(W) ~ 1.0m(T)	
Sync. System	Internal / External		Internal / External		Internal / External		Internal / External	
Scanning System	2:1 Interlace		2:1 Interlace		2:1 Interlace		2:1 Interlace	
Scanning Frequency(H)	15734Hz	15625Hz	15734Hz	15625Hz	15734Hz	15625Hz	15734Hz	15625Hz
Scanning Frequency(V)	60.00Hz	50.00Hz	60.00Hz	50.00Hz	60.00Hz	50.00Hz	60.00Hz	50.00Hz
S/N Ratio	More Than 50dB		More Than 50dB		More Than 50dB		More Than 50dB	
AGC	AUTO		AUTO		AUTO / MANUAL		AUTO	
Flicker Free Mode(Shutter Fixed)	1/60 ~1/40,000 Sec.	1/50 ~1/40,000 Sec.	1/60 ~1/40,000 Sec.	1/50 ~1/40,000 Sec.	1/60 ~1/30,000 Sec.	1/50 ~1/30,000 Sec.	1/60 ~1/30,000 Sec.	1/50 ~1/30,000 Sec.
Exposure Control	AUTO / MANUAL		AUTO / MANUAL		AUTO / MANUAL		AUTO / MANUAL	
Digital Slow Exposure (DSE)	ON / OFF		ON / OFF		ON / OFF		ON / OFF	
Wide Dynamic Range (WDR)	ON / OFF		ON / OFF		ON / OFF		---	
Ultra Noise Rejection (DNR)	---		ON / OFF		---		---	
Image Stabilizer	ON / OFF		ON / OFF		ON / OFF		---	
Image Reverse	ON / OFF		ON / OFF		ON / OFF		ON / OFF	
Image Freeze	ON / OFF		ON / OFF		ON / OFF		ON / OFF	
Vertical Invert	ON / OFF		ON / OFF		ON / OFF		ON / OFF	
BLC	AUTO / MANUAL		AUTO / MANUAL		AUTO / MANUAL		6 Zones	
IR Cut Filter Removable	AUTO / MANUAL		AUTO / MANUAL		AUTO / MANUAL		---	
White Balance	AUTO / MANUAL		AUTO / MANUAL		AUTO / MANUAL		AUTO / MANUAL	
B / W	ON / OFF		ON / OFF		ON / OFF		---	
Mirror	ON / OFF		ON / OFF		ON / OFF		ON / OFF	
Motion Detection	ON / OFF		ON / OFF		ON / OFF		ON / OFF	
Privacy Mask Function	8 Zones		8 Zones		8 Zones		8 Zones	
Video Output Level	1.0 Vp-p		1.0 Vp-p		1.0 Vp-p		1.0 Vp-p	
<b>PAN/TILT FUNCTION</b>								
Panning Range & Speed	0° ~ 360°, 300°/S		0° ~ 360°, 300°/S		0° ~ 360°, 300°/S		0° ~ 360°, 300°/S	
Tilting Range & Speed	0° ~ 180°, 300°/S		0° ~ 180°, 300°/S		0° ~ 180°, 300°/S		0° ~ 180°, 300°/S	
Auto Panning	27 Presets		27 Presets		27 Presets		27 Presets	
Preset	220		220		220		220	
Pattern	4		4		4		4	
Group Touring	6 Groups		6 Groups		6 Groups		6 Groups	
Auto Flip	180° Tilt		180° Tilt		180° Tilt		180° Tilt	
IP Rating	IP66		IP66		IP66		IP66	
Power Supply	24V AC		24V AC		24V AC		24V AC	
Current Consumption	35W (W/Heater) / 10W (W/O Heater)		35W (W/Heater) / 10W (W/O Heater)		35W (W/Heater) / 10W (W/O Heater)		35W (W/Heater) / 10W (W/O Heater)	
Operating Temp	-40°C ~ 50°C		-40°C ~ 50°C		-40°C ~ 50°C		-40°C ~ 50°C	
Dimensions	82.0mm(L) X 54.0mm(W) X 52.0mm(H)		82.0mm(L) X 54.0mm(W) X 52.0mm(H)		82.0mm(L) X 54.0mm(W) X 52.0mm(H)		82.0mm(L) X 54.0mm(W) X 52.0mm(H)	
Weight	Approx. 220g		Approx. 220g		Approx. 220g		Approx. 220g	

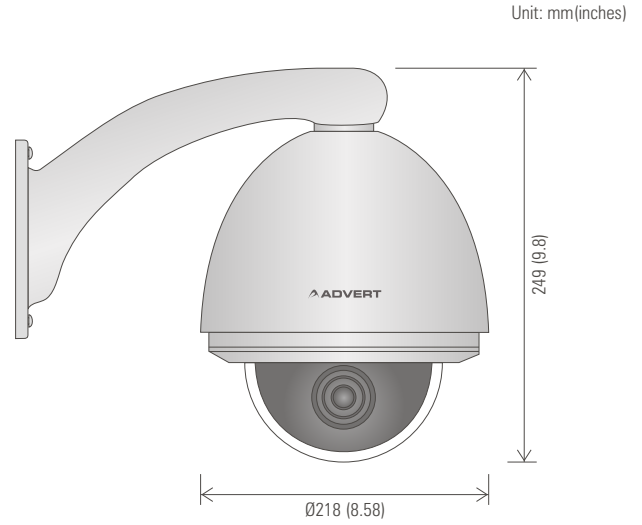
\* “Super HAD CCD” is the trademarks of Sony Corporation.

# 37X,30X,27X & 23X SPEED DOME

## MOUNT TYPE



## DIMENSIONS



The above mentioned technical drawings are for reference only.

Model	ADZS-ODRNA37-S375	ADZS-ODRPA37-S375	ADZS-ODRNA30-S310	ADZS-ODRPA30-S310	ADZS-ODRNA27-S271	ADZS-ODRPA27-S271	ADZS-ODRNA23-S231	ADZS-ODRPA23-S231
Signal System	NTSC	PAL	NTSC	PAL	NTSC	PAL	NTSC	PAL
Image Sensor	SONY 1/4 Inch Super HAD CCD ..		SONY 1/4 Inch Super HAD CCD ..		SONY 1/4 Inch Super HAD CCD ..		SONY 1/4 Inch Super HAD CCD ..	
Effective Picture elements	380K	440K	380K	440K	380K	440K	380K	440K
Total Picture elements	410K	470K	410K	470K	410K	470K	410K	470K
Horizontal Resolution (Zoom Module)	560 TVL (Color), 680TVL (B/W)		560 TVL (Color), 680TVL (B/W)		560 TVL (Color), 680TVL (B/W)		560 TVL (Color), 680TVL (B/W)	
Enhanced Resolution (Zoom Swing Pro. H/W)	540 TVL		540 TVL		540 TVL		540 TVL	
Min. Illumination	Color: 0.7Lux / F1.6, B/W: 0.06Lux / F1.6		Color: 0.2Lux / F1.6, B/W: 0.02Lux / F1.6		Color: 0.2Lux / F1.6, B/W: 0.02Lux / F1.6		Color: 0.2Lux / F1.6, B/W: 0.02Lux / F1.6	
Lens Type	37X F1.6(W)~F3.9(T) (f 3.5~129.5mm)		30X F1.6(W)~F3.9(T) (f 3.5~105mm)		27X F1.6(W)~F3.9(T) (f 3.5~94.5mm)		23X F1.6(W)~F3.9(T) (f 3.5~80.5mm)	
Lens Iris	AUTO / MANUAL		AUTO / MANUAL		AUTO / MANUAL		AUTO / MANUAL	
Focus Mode	AUTO / MANUAL		AUTO / MANUAL		AUTO / MANUAL		AUTO / MANUAL	
Digital Zoom	16X		16X		16X		16X	
Viewing Angle (H)	55.5°(W) ~ 1.59°(T)		48°(W) ~ 2.8°(T)		55.5°(W) ~ 1.60°(T)		55.5°(W) ~ 1.83°(T)	
Minimum Object Distance	0.01m(W) ~ 1.0m(T)		0.29m(W) ~ 0.8m(T)		0.01m(W) ~ 0.8m(T)		0.01m(W) ~ 0.8m(T)	
Sync. System	Internal / External		Internal / External		Internal / External		Internal / External	
Scanning System	2:1 Interlace		2:1 Interlace		2:1 Interlace		2:1 Interlace	
Scanning Frequency(H)	15734Hz	15625Hz	15734Hz	15625Hz	15734Hz	15625Hz	15734Hz	15625Hz
Scanning Frequency(V)	60.00Hz	50.00Hz	60.00Hz	50.00Hz	60.00Hz	50.00Hz	60.00Hz	50.00Hz
S/N Ratio	More Than 50dB		More Than 50dB		More Than 50dB		More Than 50dB	
AGC	OFF/LOW/MEDIUM/HIGH/MANUAL		OFF/LOW/MEDIUM/HIGH/MANUAL		OFF/LOW/MEDIUM/HIGH/MANUAL		OFF/LOW/MEDIUM/HIGH/MANUAL	
Flicker Free Mode(Shutter Fixed)	1/60 ~1/30,000 Sec.	1/50 ~1/30,000 Sec.	1/60 ~1/30,000 Sec.	1/50 ~1/30,000 Sec.	1/60 ~1/30,000 Sec.	1/50 ~1/30,000 Sec.	1/60 ~1/30,000 Sec.	1/50 ~1/30,000 Sec.
Exposure Control	AUTO / MANUAL		AUTO / MANUAL		AUTO / MANUAL		AUTO / MANUAL	
Digital Slow Exposure (DSE)	ON / OFF		ON / OFF		ON / OFF		ON / OFF	
Wide Dynamic Range (WDR)	ON / OFF		ON / OFF		ON / OFF		ON / OFF	
Ultra Noise Rejection (DNR)	OFF/LOW/MEDIUM/HIGH		OFF/LOW/MEDIUM/HIGH		OFF/LOW/MEDIUM/HIGH		OFF/LOW/MEDIUM/HIGH	
Image Stabilizer	---		---		---		---	
Image Reverse	ON / OFF		ON / OFF		ON / OFF		ON / OFF	
Image Freeze	ON / OFF		ON / OFF		ON / OFF		ON / OFF	
Vertical Invert	ON / OFF		ON / OFF		ON / OFF		ON / OFF	
BLC	ON / OFF		ON / OFF		ON / OFF		ON / OFF	
IR Cut Filter Removable	---		---		---		---	
White Balance	ATW / MANUAL / INDOOR / OUTDOOR		ATW / MANUAL / INDOOR / OUTDOOR		ATW / MANUAL / INDOOR / OUTDOOR		ATW / MANUAL / INDOOR / OUTDOOR	
B / W	---		---		---		---	
Mirror	HORIZXONTAL / VERTICAL		HORIZXONTAL / VERTICAL		HORIZXONTAL / VERTICAL		HORIZXONTAL / VERTICAL	
Motion Detection	ON / OFF		ON / OFF		ON / OFF		ON / OFF	
Privacy Mask Function	8 Zones		8 Zones		8 Zones		8 Zones	
Video Output Level	1.0 Vp-p		1.0 Vp-p		1.0 Vp-p		1.0 Vp-p	
<b>PAN/TILT FUNCTION</b>								
Panning Range & Speed	0° ~ 360°, 300°/S		0° ~ 360°, 300°/S		0° ~ 360°, 300°/S		0° ~ 360°, 300°/S	
Tilting Range & Speed	0° ~ 180°, 300°/S		0° ~ 180°, 300°/S		0° ~ 180°, 300°/S		0° ~ 180°, 300°/S	
Auto Panning	27 Presets		27 Presets		27 Presets		27 Presets	
Preset	220		220		220		220	
Pattern	4		4		4		4	
Group Touring	6 Groups		6 Groups		6 Groups		6 Groups	
Auto Flip	180° Tilt		180° Tilt		180° Tilt		180° Tilt	
IP Rating	IP66		IP66		IP66		IP66	
Power Supply	24V AC		24V AC		24V AC		24V AC	
Current Consumption	35W (W/Heater) / 10W (W/O Heater)		35W (W/Heater) / 10W (W/O Heater)		35W (W/Heater) / 10W (W/O Heater)		35W (W/Heater) / 10W (W/O Heater)	
Operating Temp	-40°C ~ 50°C		-40°C ~ 50°C		-40°C ~ 50°C		-40°C ~ 50°C	
Dimensions	82.0mm(L) X 54.0mm(W) X 52.0mm(H)		82.0mm(L) X 54.0mm(W) X 52.0mm(H)		82.0mm(L) X 54.0mm(W) X 52.0mm(H)		82.0mm(L) X 54.0mm(W) X 52.0mm(H)	
Weight	Approx. 220g		Approx. 220g		Approx. 220g		Approx. 220g	

